

LPGA SST

15.1" x 10.0" x 8.6"
(38.4cm x 25.4cm x 21.8cm)



- Large, clear bean hopper merchandises 6 lb (2.72kg) of fresh regular, decaf or specialty coffee beans
- Easy access on back for grind weight adjustment
- Four year warranty on grinding burrs
- Just 8.64" (21.95cm) wide and a low profile height of 15.1" (38.4cm)
- Powered by quiet, high torque motor
- Professional grind provided by large 3.19" (8.1cm) diameter burrs powered by quiet, low speed, high torque motor

 Servers and airpots sold separately

Agency:



Specifications

Product #: 20580.0132

Finish: Stainless

Hoppers: One

Hopper Capacity: 6.00 lbs (2.722 kgs)

Additional Features

Electrical & Capacity

Volts	Amps	Watts	Cord Attached	Plug Type	8oz cups/hr 236ml cups/hr	Input H ² O Temp.	Phase	# Wires plus Ground	Hertz
220-240	1.5	330-360	Yes	EURO 10A	-	60°F (15.5°C)	1	2	50/60

Plumbing Requirements

PSI	kPa	Fitting Supplied	Water Flow Required (GPM)
-	-	-	-

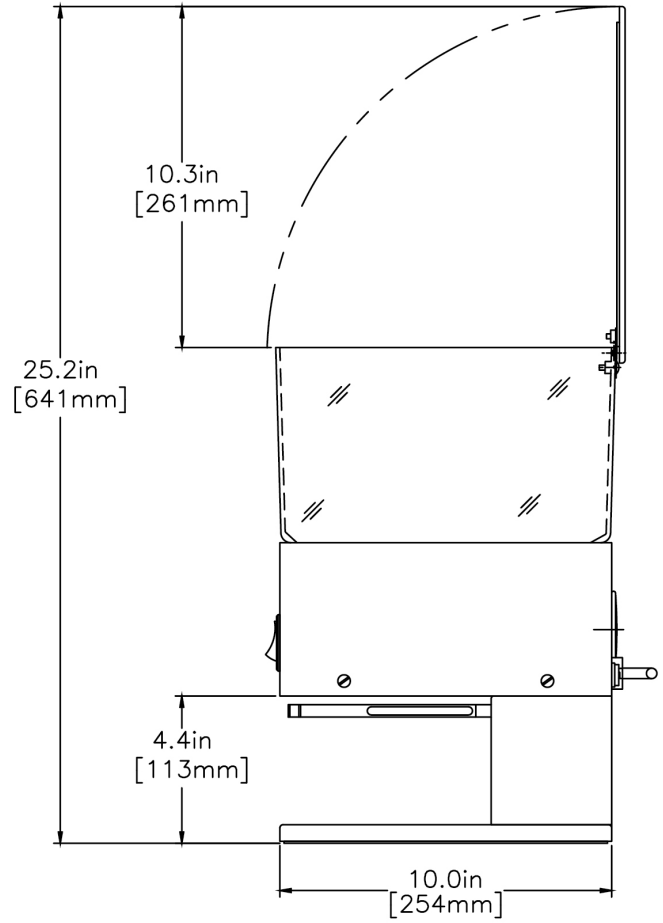
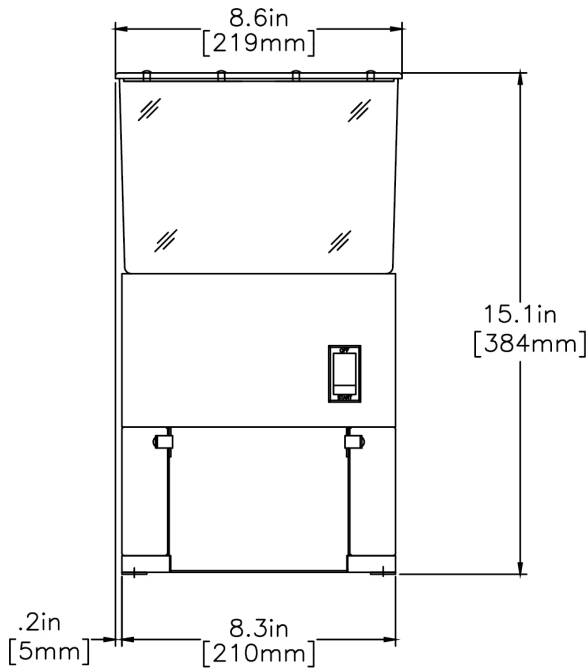
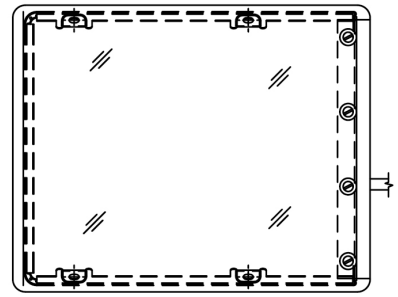
CAD Drawings

2D	Revit	KLC
●		



BUNN® reserves the right to change specifications and product design without notice. Such revisions do not entitle the buyer to corresponding changes, improvements, additions or replacements for previously purchased equipment. For most current specifications and other info visit bunn.com.

Created on:
06/06/2016



	Unit			Shipping				
	Width	Height	Depth	Width	Height	Depth	Weight	Volume
English	8.6 in.	15.1 in.	10.0 in.	-	-	-	23.000 lbs	1.959 ft ³
Metric	21.8 cm	38.4 cm	25.4 cm	-	-	-	10.433 kgs	0.055 m ³



BUNN® reserves the right to change specifications and product design without notice. Such revisions do not entitle the buyer to corresponding changes, improvements, additions or replacements for previously purchased equipment. For most current specifications and other info visit bunn.com.

Created on:
06/06/2016

Related Products & Accessories:LPGA SST(20580.0132)

FUNNEL, SHORT
FRENCH PRESS

Product #: 38124.0000

KIT, FINE GRIND
DECHAFFER

Product #: 43724.0000



BUNN® reserves the right to change specifications and product design without notice. Such revisions do not entitle the buyer to corresponding changes, improvements, additions or replacements for previously purchased equipment. For most current specifications and other info visit bunn.com.

Created on:
06/06/2016

Serving & Holding Options: LPGA SST(20580.0132)

Serving and Holding selections are currently unavailable. Please contact your sales representative to find out more information.



BUNN® reserves the right to change specifications and product design without notice. Such revisions do not entitle the buyer to corresponding changes, improvements, additions or replacements for previously purchased equipment. For most current specifications and other info visit bunn.com.

Created on:
06/06/2016