

DUAL TF DBC SST

35.7" x 20.2" x 21.8"
(90.7cm x 51.3cm x 55.4cm)



 Servers and airpots sold separately

- Brews 16.3 to 18.9gal (61.7 to 71.5L) of perfect coffee per hour
- Coffee extraction controlled with pre-infusion and pulse brew, digital temperature control, and large sprayhead; coffee strength controlled with variable by-pass.
- Create coffee recipe cards with custom recipes, ad cards with messages that display on the brewer LCD, and dedicated funnels for special coffees with the BrewWISE Recipe Writer using your PC (Windows® compatible).
- Easy pulse interface allows automatic programming of pulse routine
- Preventive maintenance kit: 39641.0000
- SplashGard® funnel and optional funnel locks help improve safety
- Stores individual coffee recipes so operator can easily brew many varieties
- ThermoFresh® servers are vacuum insulated to keep coffee hot for hours.
- Energy saver mode reduces tank temperature during idle periods
- Operate any combination of BrewWISE equipment error-free with wireless brewer-grinder interface through Smart Funnel with SplashGard®

Agency:



Specifications

Product #: 34600.0011

Faucet: Lower

Water Access: Plumbed

Interface: Wireless

Finish: Stainless

Funnel: Smart Funnel

Additional Features

BrewWISE

Electrical & Capacity

Volts	Amps	Watts	Cord Attached	Plug Type	8oz cups/hr 236ml cups/hr	Input H ² O Temp.	Phase	# Wires plus Ground	Hertz
220-240	27.0-29.5	6000-7100	No	-	283	60°F (15.5°C)	1	2	50/60

Plumbing Requirements

PSI	kPa	Fitting Supplied	Water Flow Required (GPM)
20-90	138-621	3/8" Male Flare Fitting	-

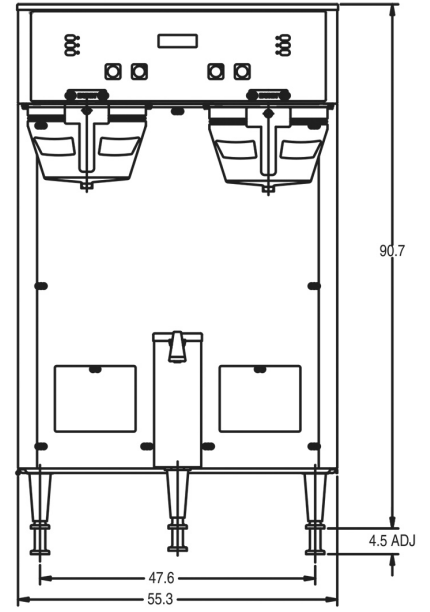
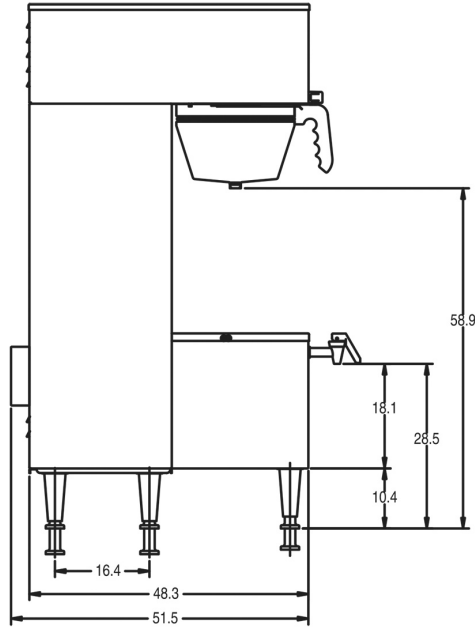
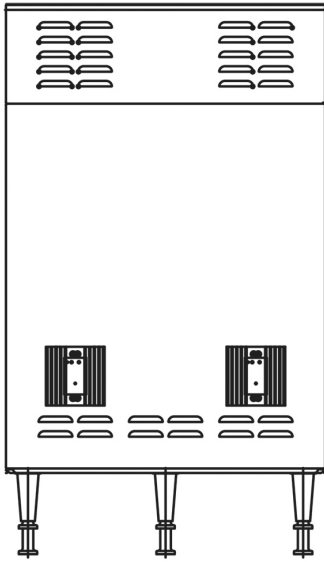
CAD Drawings

2D	Revit	KLC
●		



BUNN® reserves the right to change specifications and product design without notice. Such revisions do not entitle the buyer to corresponding changes, improvements, additions or replacements for previously purchased equipment. For most current specifications and other info visit bunn.com.

Created on:
07/18/2016



Unit			Shipping					
	Width	Height	Depth	Width	Height	Depth	Weight	Volume
English	21.8 in.	35.7 in.	20.2 in.	-	-	-	92.200 lbs	13.180 ft³
Metric	55.4 cm	90.7 cm	51.3 cm	-	-	-	41.822 kgs	0.373 m³



BUNN® reserves the right to change specifications and product design without notice. Such revisions do not entitle the buyer to corresponding changes, improvements, additions or replacements for previously purchased equipment. For most current specifications and other info visit bunn.com.

Created on:
07/18/2016

Related Products & Accessories: DUAL TF DBC SST(34600.0011)



FILTERS,GOURMET 504
252/2 36/CL

Product #: 20138.0000



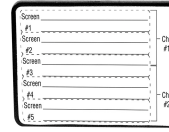
BREWWISE RECIPE
WRITER, INT

Product #: 34444.0001



CARD ASSY,RECIPE
TRANSFER(BRW)

Product #: 34447.0000



CARD ASSY,
TRANSFER-AD (BRW)

Product #: 34448.0000



MHGA, CE IPX1 EURO
220-240V BLK 50HZ

Product #: 35600.0023



WATER FILTER,
EQHP-25L

Product #: 39000.0002



WATER FILTER,
EQHP-25

Product #: 39000.0005



BUNN® reserves the right to change specifications and product design without notice. Such revisions do not entitle the buyer to corresponding changes, improvements, additions or replacements for previously purchased equipment. For most current specifications and other info visit bunn.com.

Created on:
07/18/2016

Serving & Holding Options: DUAL TF DBC SST(34600.0011)



TF SERVER, DSG2
1G/3.8L

Product #:42700.0000



TF SERVER, DSG2
1G/3.8L BLK

Product #:42700.0001



TF SERVER, DSG2 1G
CD

Product #:42700.0003



TF SERVER, DSG2 1G
BLK CD

Product #:42700.0004



TF SERVER, DSG2 1.5G
SST

Product #:42750.0000



TF SERVER, DSG2 1.5G
BLK

Product #:42750.0001



TF SERVER, DSG2 1.5G
CD

Product #:42750.0003



TF SERVER, DSG2 1.5G
BLK CD

Product #:42750.0010



TF SERVER, 1G/3.8L
MECH

Product #:44000.0000



TF SERVER, 1G/3.8L
MECH BLK

Product #:44000.0001



TF SERVER, 1.5G/5.7L
MECH

Product #:44050.0000



TF SERVER, 1.5G/5.7L
MECH BLK

Product #:44050.0001



BUNN® reserves the right to change specifications and product design without notice. Such revisions do not entitle the buyer to corresponding changes, improvements, additions or replacements for previously purchased equipment. For most current specifications and other info visit bunn.com.

Created on:
07/18/2016