


Titan Dual DBC

40.0" x 21.7" x 35.6"
(101.6cm x 55.1cm x 90.4cm)



 Servers and airpots sold separately

- Consistent brewed coffee and tea from water with reduced sediment and chlorine taste and odor
- BrewMETER® allows automatic programming of pulse routine
- Funnel has 28oz (.8kg) ground coffee capacity and paper filter retainers to eliminate fold-over
- Titan TF servers [not included] are insulated to keep coffee hot for hours
- Coffee extraction controlled with pre-infusion and pulse brew, digital temperature control, and large sprayhead; coffee strength controlled with variable by-pass.
- Energy-saver mode reduces tank temperature during idle periods
- Hot water faucet

Agency:



Specifications

Product #: 39200.0002
Water Access: Plumbed
Finish: Stainless
Funnel: Stainless Steel
Faucet: Side

Additional Features

BrewMETER

Electrical & Capacity

Volts	Amps	Watts	Cord Attached	Plug Type	8oz cups/hr 236ml cups/hr	Input H ₂ O Temp.	Phase	# Wires plus Ground	Hertz
4003N	16	11125	No	-	-	60°F (15.5°C)	3	3N	50/60

Plumbing Requirements

PSI	kPa	Fitting Supplied	Water Flow Required (GPM)
20-90	138-621	3/8" Male Flare Fitting	-

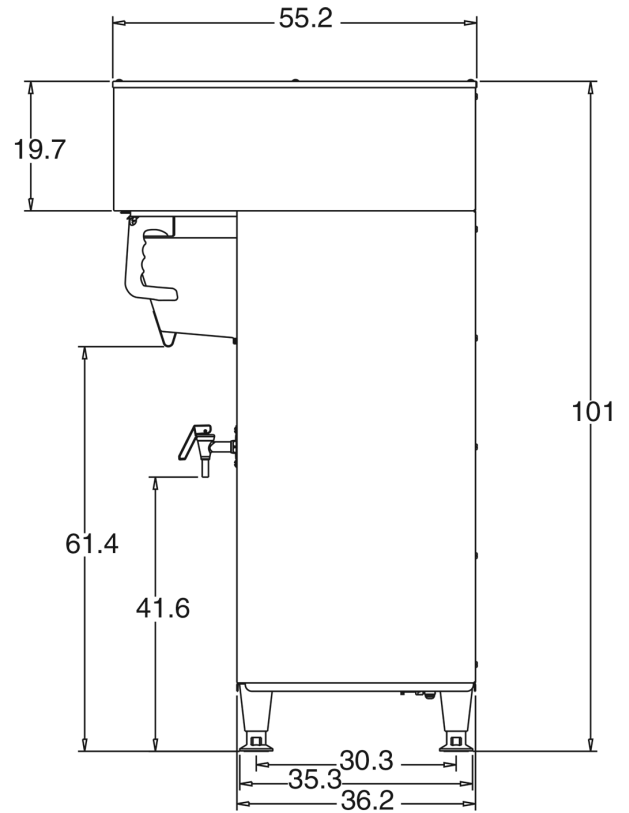
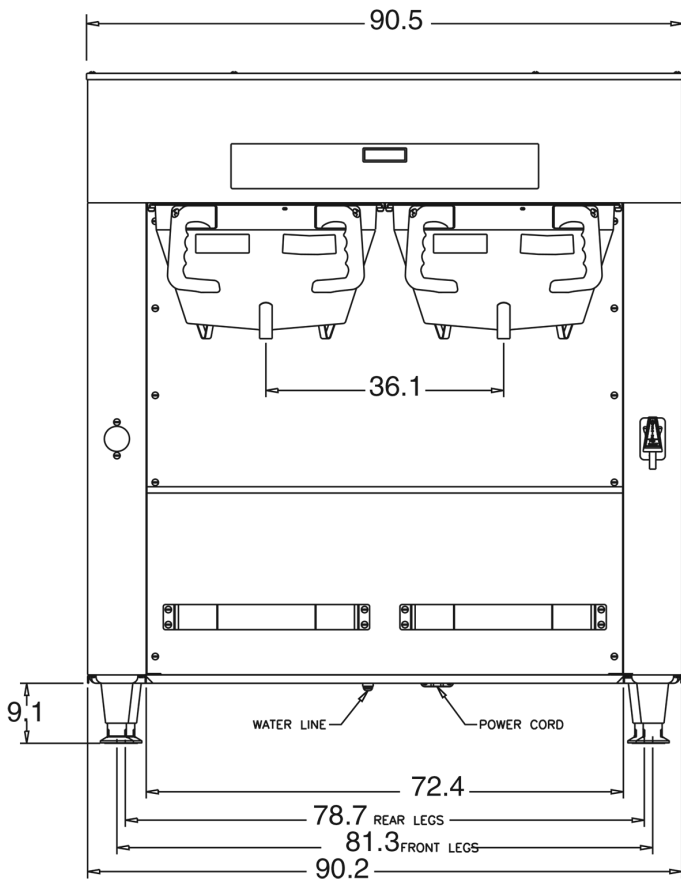
CAD Drawings

2D	Revit	KLC



BUNN® reserves the right to change specifications and product design without notice. Such revisions do not entitle the buyer to corresponding changes, improvements, additions or replacements for previously purchased equipment. For most current specifications and other info visit bunn.com.

Created on:
07/15/2016



	Unit			Shipping				
	Width	Height	Depth	Width	Height	Depth	Weight	Volume
English	35.6 in.	40.0 in.	21.7 in.	-	-	-	162.200 lbs	27.500 ft ³
Metric	90.4 cm	101.6 cm	55.1 cm	-	-	-	73.574 kgs	0.779 m ³



BUNN® reserves the right to change specifications and product design without notice. Such revisions do not entitle the buyer to corresponding changes, improvements, additions or replacements for previously purchased equipment. For most current specifications and other info visit bunn.com.

Created on:
07/15/2016

Related Products & Accessories: Titan Dual DBC(39200.0002)



FILTERS, 20x8 252/CS
36/CL

Product #: 20111.0000



WATER FILTER,
EQHP-54L

Product #: 39000.0003



WATER FILTER,
EQHP-54

Product #: 39000.0006



FUNNEL ASSY W/
BASKET, TITAN

Product #: 40114.0000



BUNN® reserves the right to change specifications and product design without notice. Such revisions do not entitle the buyer to corresponding changes, improvements, additions or replacements for previously purchased equipment. For most current specifications and other info visit bunn.com.

Created on:
07/15/2016

Serving & Holding Options: Titan Dual DBC(39200.0002)



TITAN TF SERVER,
VERTICAL FCT

Product #:39400.0001



BUNN® reserves the right to change specifications and product design without notice. Such revisions do not entitle the buyer to corresponding changes, improvements, additions or replacements for previously purchased equipment. For most current specifications and other info visit bunn.com.

Created on:
07/15/2016